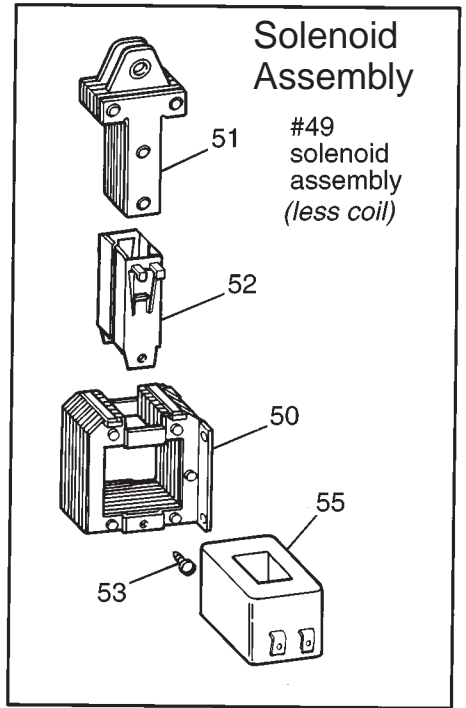
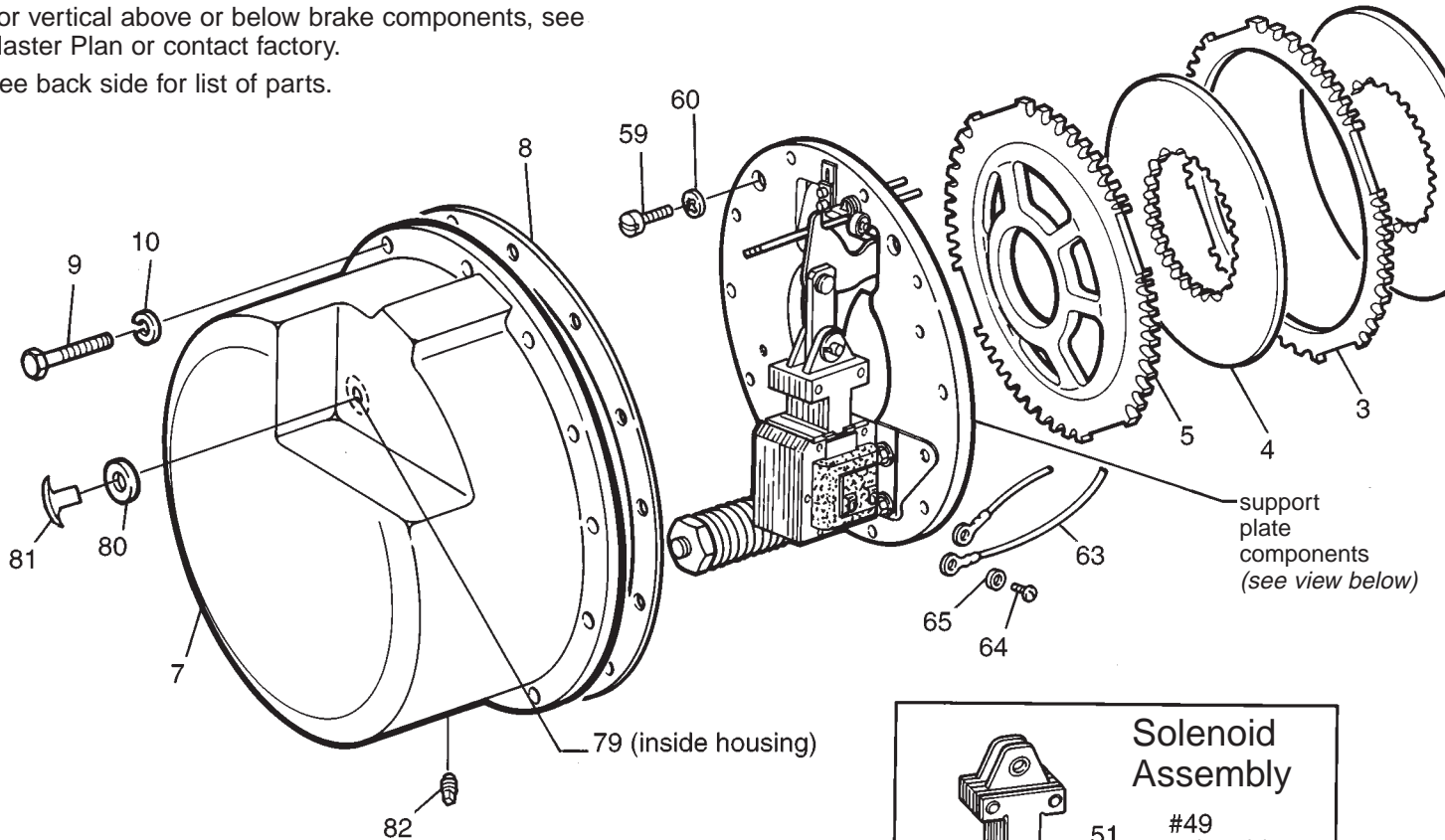


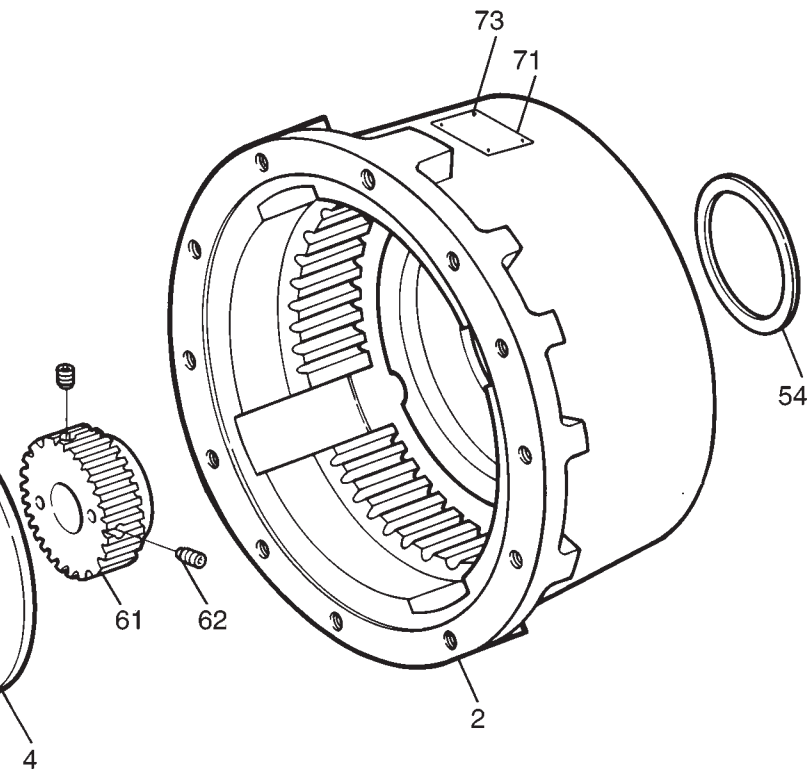
## Navy Brake - 82,600 Series Exploded View Part Breakdown

Supplement to Master Plan N1-082-602-A

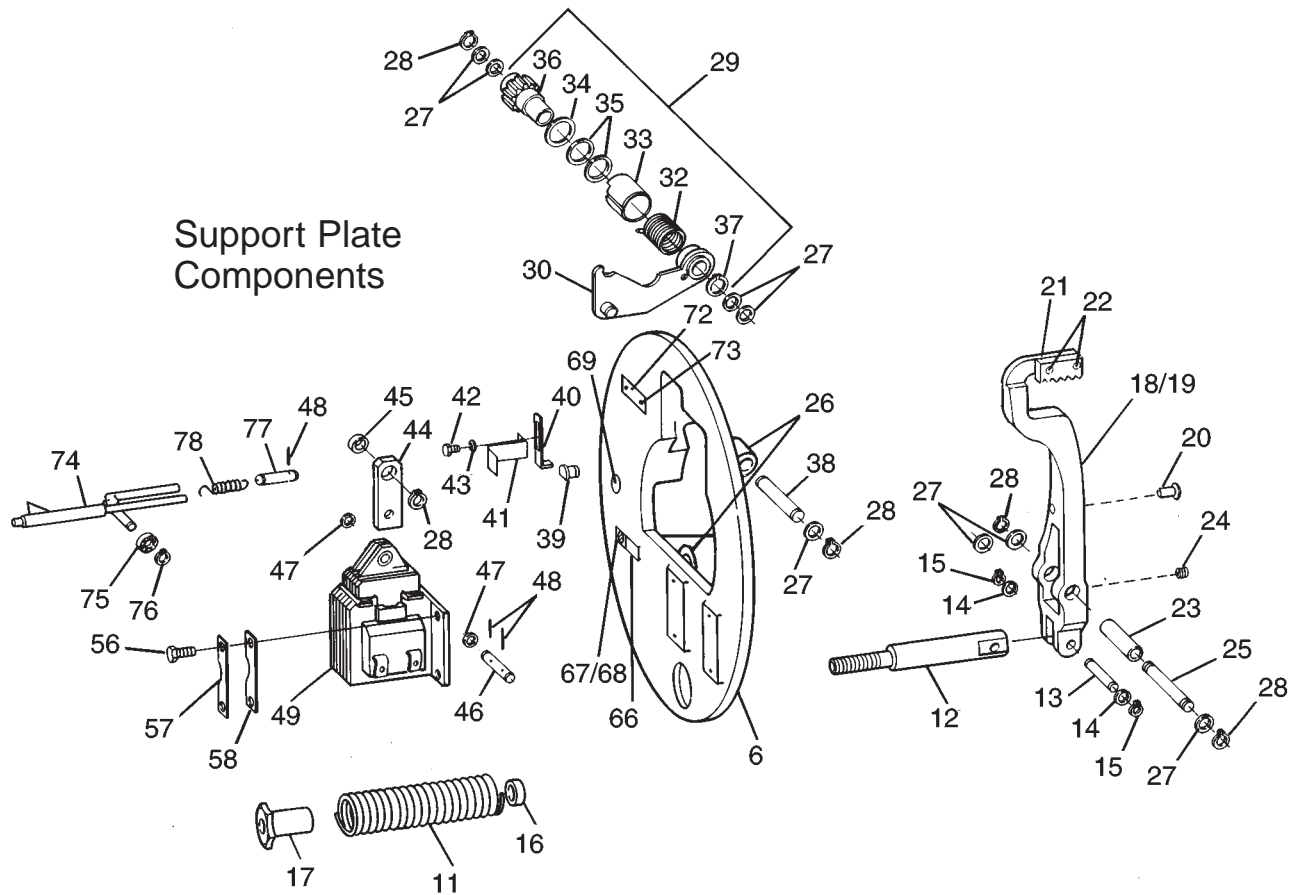
### General Information

- For part numbers and complete data, see N1-082-602-A.
- For additional information and service instructions, see Sheet 8-078-922-00
- For general Navy Brake information, see Sheet 271.
- For vertical above or below brake components, see Master Plan or contact factory.
- See back side for list of parts.





Support Plate Components



Item No.	Description	Manufacturer's Part Number↓	Torque (lb-ft)	125	175	230	330	440	550
			Brake Model Number→	1-082-612-00	1-082-622-00	1-082-632-00	1-082-642-00	1-082-652-00	1-082-662-00
2	Endplate ( <i>horizontal or vertical below</i> )	8-002-232-01	1	1	1	1			
	Endplate ( <i>vertical above</i> )	8-002-233-01						1	1
		8-002-232-02	1	1	1	1			
		8-002-233-02						1	
3	Stationary disc ( <i>horizontal</i> )	8-003-208-01	1	1	2	2	3	4	
	Stationary disc ( <i>vertical</i> )	8-003-208-02	1	1	2	2	3	4	
4	Friction disc	8-004-208-00	2	2	3	3	4	5	
5	Pressure plate ( <i>horizontal</i> )	8-005-208-01	1	1					
	Pressure plate ( <i>vertical above</i> )	8-005-207-01			1	1			1
	Pressure plate ( <i>vertical below</i> )	8-005-208-02	1	1					
		8-005-207-02			1	1			*
	Pressure plate ( <i>vertical below</i> )	8-005-208-03	1	1					*
		8-005-207-03			1	1			
6	Support plate	8-126-205-01	1	1	1	1	1	1	1
7	Housing	8-007-209-01	1	1	1	1	1	1	1
8	Gasket	8-069-205-00	1	1	1	1	1	1	1
9	Cap screw ( <i>hex head 3/8 - 16 x 1</i> )	9-16-5216-00	12	12	12	12	12	12	12
10	Lock washer 3/8 medium	9-45-0352-00	12	12	12	12	12	12	12
11	Pressure spring ( <i>green</i> )	9-70-4601-00	1						
	Pressure spring ( <i>yellow</i> )	9-70-6001-00		1	1				
	Pressure spring ( <i>red</i> )	9-70-5801-00				1	1	1	
12	Pressure spring stud	8-152-201-00	1	1	1	1	1	1	1
13	Pivot pin, spring stud	8-118-202-00	1	1	1	1	1	1	1
14	Washer, flat	8-138-701-00	2	2	2	2	2	2	2
15	Retaining ring	9-03-0019-00	2	2	2	2	2	2	2
16	Spacer, pressure spring ( <i>7/8" long</i> )	8-134-001-02	1	1					
	Spacer, pressure spring ( <i>1" long</i> )	8-134-001-03			1				
	Spacer, pressure spring ( <i>1 1/4" long</i> )	8-134-001-05				1	1	1	
17	Pressure spring nut	8-019-201-00	1	1	1	1	1	1	1
18	Lever arm assembly	5-17-2004-00	1	1	1	1	1	1	1
19	Lever arm ( <i>part of 18</i> )	8-017-203-03	1	1	1	1	1	1	1
20	Drive screw ( <i>part of 18</i> )	9-25-1908-00	2	2	2	2	2	2	2
21	Sector gear ( <i>part of 18</i> )	8-031-202-00	1	1	1	1	1	1	1
22	Straight pin ( <i>part of 18</i> )	9-29-5018-00	2	2	2	2	2	2	2
23	Eccentric sleeve	8-054-201-00	1	1	1	1	1	1	1
24	Set screw ( <i>1/4 - 20 x 1/4</i> )	9-22-1004-00	2	2	2	2	2	2	2
25	Pivot pin, lever arm	8-118-204-00	1	1	1	1	1	1	1
26	Sleeve bearing	9-04-0150-00	4	4	4	4	4	4	4
27	Washer, flat	8-138-201-00	8	8	8	8	8	8	8
28	Retaining ring	9-03-0020-00	5	5	5	5	5	5	5
29	Solenoid lever and pinion assembly	5-32-2002-00	1	1	1	1	1	1	1
30	Solenoid lever ( <i>part of 29</i> )	5-28-2004-00	1	1	1	1	1	1	1
32	Wrap spring ( <i>part of 29</i> )	9-71-1003-00	1	1	1	1	1	1	1
33	Sleeve ( <i>part of 29</i> )	8-054-203-00	1	1	1	1	1	1	1
34	Spacer, sleeve ( <i>part of 29</i> )	8-141-202-00	1	1	1	1	1	1	1
35	Spacer, wrap spring ( <i>part of 29</i> )	8-141-101-00	2	2	2	2	2	2	2
36	Pinion ( <i>part of 29</i> )	8-032-201-00	1	1	1	1	1	1	1
37	Retaining ring ( <i>part of 29</i> )	9-03-0012-00	1	1	1	1	1	1	1
38	Pivot pin ( <i>solenoid lever</i> )	8-131-201-00	1	1	1	1	1	1	1
39	Stop	8-022-603-00	1	1	1	1	1	1	1
40	Stop ( <i>wrap spring</i> )	8-076-203-00	1	1	1	1	1	1	1
41	Holding plate ( <i>stop</i> )	8-076-204-00	1	1	1	1	1	1	1
42	Cap screw, socket head ( <i>10 - 24 x 3/4</i> )	9-17-2812-00	2	2	2	2	2	2	2
43	Lock washer, #10	9-45-0328-00	2	2	2	2	2	2	2
44	Solenoid link	8-013-206-00	1	1	1	1	1	1	1
45	Sleeve bearing	9-04-1001-00	1	1	1	1	1	1	1
46	Pivot pin ( <i>solenoid link</i> )	8-012-201-00	1	1	1	1	1	1	1
47	Washer, flat	8-060-202-00	2	2	2	2	2	2	2
48	Roll pin	9-32-4012-00	3	3	3	3	3	3	3
49	Solenoid assembly ( <i>less coil</i> )	5-12-0594-00	1	1	1	1	1	1	1
50	Solenoid frame ( <i>part of 49</i> )	5-79-6405-00	1	1	1	1	1	1	1
51	Solenoid plunger ( <i>part of 49</i> )	5-29-0597-00	1	1	1	1	1	1	1
52	Plunger guide ( <i>part of 49</i> )	8-082-581-00	2	2	2	2	2	2	2
53	Plunger guide screw ( <i>part of 49</i> )	9-25-9013-00	2	2	2	2	2	2	2
54	Oil seal	9-02-0086-00	1	1	1	1	1	1	1
55	Coil								
	115 V/60 Hz (#9)	6-5-91156-01	1	1	1				
	115 V/60 Hz (#K9)	6-5-91166-01				1	1	1	
	230 V/60 Hz (#9)	6-5-92306-01	1	1	1				
230 V/60 Hz (#K9)	6-5-92316-01					1	1	1	

Item No.	Description	Manufacturer's Part Number↓	Torque (lb-ft)	125	175	230	330	440	550
			Brake Model Number→	1-082-612-00	1-082-622-00	1-082-632-00	1-082-642-00	1-082-652-00	1-082-662-00
55 (cont.)	440 V/60 Hz (#9)	6-5-94406-01	1	1	1				
	440 V/60 Hz (#K9)	6-5-94416-01				1	1		1
	460 V/60 Hz (#9)	6-5-94606-01	1	1	1				
	460 V/60 Hz (#K9)	6-5-94616-01				1	1		1
55	Coil kit (includes items 52, 53, 55, 63, 64 & 65)								
	115 V/60 Hz (#9)	5-96-6901-05	1	1	1				
	115 V/60 Hz (#K9)	5-96-6951-05				1	1		1
	230 V/60 Hz (#9)	5-96-6902-05	1	1	1				
	230 V/60 Hz (#K9)	5-96-6952-05				1	1		1
	440 V/60 Hz (#9)	5-96-6904-15	1	1	1				
	440 V/60 Hz (#K9)	5-96-6992-15				1	1		1
	460 V/60 Hz (#9)	5-96-6904-05	1	1	1				
460 V/60 Hz (#K9)	5-96-6954-05				1	1		1	
56	Cap screw, hex head (1/4 - 20 x 5/8)	8-350-002-00	6	6	6	6	6	6	6
57	Lock plate	8-076-206-00	2	2	2	2	2	2	2
58	Holding plate	8-076-207-00	2	2	2	2	2	2	2
59	Cap screw, socket head (5/16 - 18 x 1 1/4)	9-17-3120-00	10	10	10	10	10	10	10
60	Lock washer (5/16 - hi-collar)	9-45-1331-00	10	10	10	10	10	10	10
61 & 62	Hub and set screw assembly	5-16-2106-00	1	1					
	Hub and set screw assembly	5-16-2108-00			1	1			
	Hub and set screw assembly	5-16-2110-00					1		
	Hub and set screw assembly	5-16-2112-00							1
63	Leadwire/terminal assembly (6 - 32 x 1/4)	5-39-0636-00	2	2	2	2	2	2	2
64	Machine screw, binding head	9-13-3017-00	2	2	2	2	2	2	2
65	Lock washer, #6	9-45-0326-00	2	2	2	2	2	2	2
66	Lead wire clamp (10 - 24 x 3/8)	9-61-0010-00	1	1	1	1	1	1	1
67	Machine screw, round head	9-10-2806-00	1	1	1	1	1	1	1
68	Lock washer, #10	9-45-0328-00	1	1	1	1	1	1	1
69	Lead wire bushing, support plate	8-140-003-02	1	1	1	1	1	1	1
70	Lead wire bushing, endplate	8-140-002-11 8-140-002-13	1	1	1	1		1	1
71	Nameplate	8-078-003-00	1	1	1	1	1	1	1
72	Instruction plate	8-078-055-00	1	1	1	1	1	1	1
73	Drive screw, Type U (#4 x 3/16)	9-25-9002-00	6	6	6	6	6	6	6
74	Release rod	8-146-203-01	1	1	1	1	1	1	1
75	Bearing	8-006-201-00	1	1	1	1	1	1	1
76	Retaining ring	9-03-0007-00	1	1	1	1	1	1	1
77	Spring tube	8-053-201-00	1	1	1	1	1	1	1
78	Release spring	9-71-0004-00	1	1	1	1	1	1	1
79	Guide and bearing	8-021-663-00	1	1	1	1	1	1	1
80	Oil seal	9-02-0020-00	1	1	1	1	1	1	1
81	Release knob	8-148-804-00	1	1	1	1	1	1	1
82	Pipe plug	9-33-0150-00	1	1	1	1	1	1	1
83	Spacer	8-138-208-00	*	*	*	*	*	*	*
84	Spacer	8-138-207-00	*	*	*	*	*	*	*
85	Vertical below spring (orange)	9-70-1009-00	4	4	4	4	4		
86	Vertical below spring (yellow)	9-70-1006-00			4	4	4		
87	Vertical below spring (green)	9-70-1106-00					4		
87	Vertical above spring (green)	9-70-1106-00	4	4	4	4	4		
88	Vertical above spring (blue)	9-70-1005-00	4	4	4	4	4		
89	Vertical above spring (white)	9-70-1004-00			4	4	4		
90	Vertical above spring (red)	9-70-1105-00					4		
91	Vertical below mounting pin	8-061-210-00	4	4					
	Vertical below mounting pin	8-061-211-00			4	4			
	Vertical below mounting pin	8-061-212-00					4		
91	Vertical above mounting pins	8-061-208-00	4	4	4	4			
	Vertical above mounting pins	8-061-209-00					4		
92	Plunger guide								
	Vertical above kit (includes items 92, 93, 94, 95 & 96)	5-55-2002-00	1	1	1	1	1		
	Vertical above bracket	8-170-203-00	1	1	1	1	1		
	Vertical below AC coil	8-170-204-00	1	1	1	1	1		
	Vertical below DC coil	8-170-205-00	1	1	1	1	1		
93	Lock washer (1/4 medium)	9-45-0330-00	2	2	2	2	2		
94	Cap screw, hex head (1/4 - 20 x 1)	9-16-3016-00	2	2	2	2	2		
95	Shim, vertical guide (as required)	8-45-4016-00	2	2	2	2	2		
96	Spacer	8-45-4018-00	1	1	1	1	1		
*	<b>1-082-662-00 cannot vertically mount</b>								
	Carrier ring modification (R633) horizontal only								
3	Stationary disc	8-003-210-01	1	1	2	2	3		4
4	Carrier ring, friction discs	5-18-2002-00	2	2	3	3	4		5
5	Pressure plate	8-005-210-01			1	1			1
	Pressure plate	8-005-211-01	1	1			1		

\* See Master Plan N1-082-602-A