

Parts List for 103,000 Series Brakes

(Models 1-103-051, 1-103-061 and 1-103-071)

Information required when ordering replacement parts:

- Give the part number of the part needed, brake model number and brake serial number. The brake model and serial number may identify special brakes not covered by this parts list.
- When ordering hubs, specify shaft diameter (hub bore) and keyway.

For installation and service instructions, see P/N 8-078-923-05.

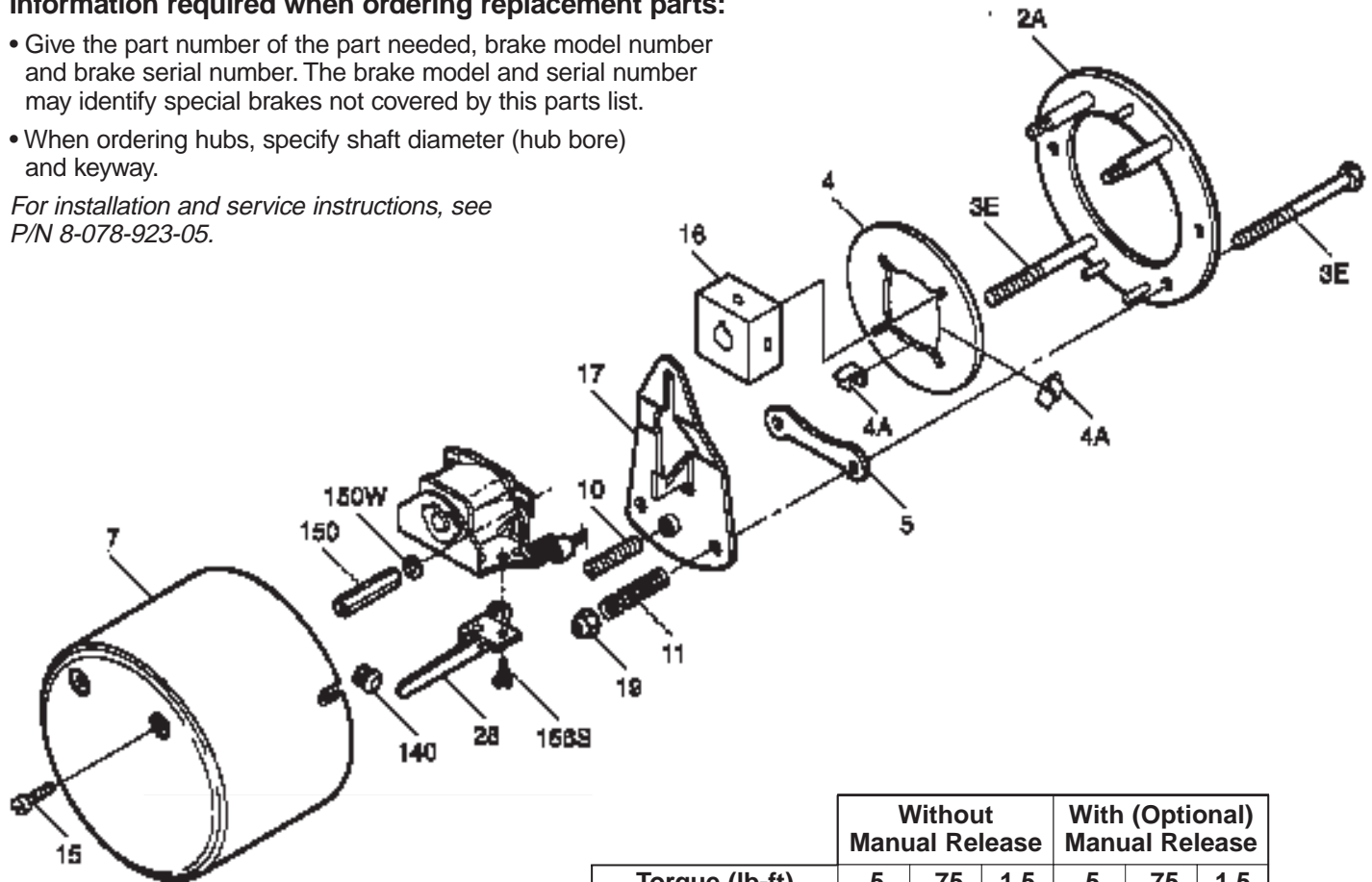


TABLE 1
Components of 103,000 Series Brake

Item No.	Description	Part Number ↓	Without Manual Release			With (Optional) Manual Release		
			Torque (lb-ft)	.5	.75	1.5	.5	.75
		Brake Model Number →						
			1-103-051-00	1-103-061-00	1-103-071-00	1-103-051-MO	1-103-061-MO	1-103-071-MO
2A	Endplate, stud and pin assembly	5-02-3008-00	1	1	1	1	1	1
3E	Spring stud	8-157-301-00	2	2	2	2	2	2
4	Friction disc	8-004-304-00	1	1	1	1	1	1
4A	Stabilizing spring	8-161-502-00	2	2	2	2	2	2
5	Stationary plate	8-003-304-00	1	1	1	1	1	1
7	Housing	8-007-323-00	1	1	1	1	1	1
10	Wear adjust screw	8-100-504-00	1	1	1	1	1	1
11	Pressure spring (green)	9-70-1020-00	2			2		
	Pressure spring (natural)	9-70-1021-00		2			2	
	Pressure spring (red)	9-70-1022-00			2			2
15	Housing screw	9-13-3034-00	2	2	2	2	2	2
16	Hub and set screw assembly	5-16-3005-00-10	1	1	1	1	1	1
17	Lever	5-17-3002-00	1	1	1	1	1	1
19	Torque adjustment nut	9-40-3728-00	2	2	2	2	2	2
28	Manual release assembly (optional)	5-28-3005-00				1	1	1
140	Lead wire grommet	8-462-002-00	1	1	1	1	1	1
150	Housing stud	8-150-301-00	2	2	2	2	2	2
150W	Lock washer (housing stud)	9-45-0328-00	2	2	2	2	2	2
156S	Self-tapping screw	9-25-6906-00				2	2	2

Solenoid and Coil Assembly

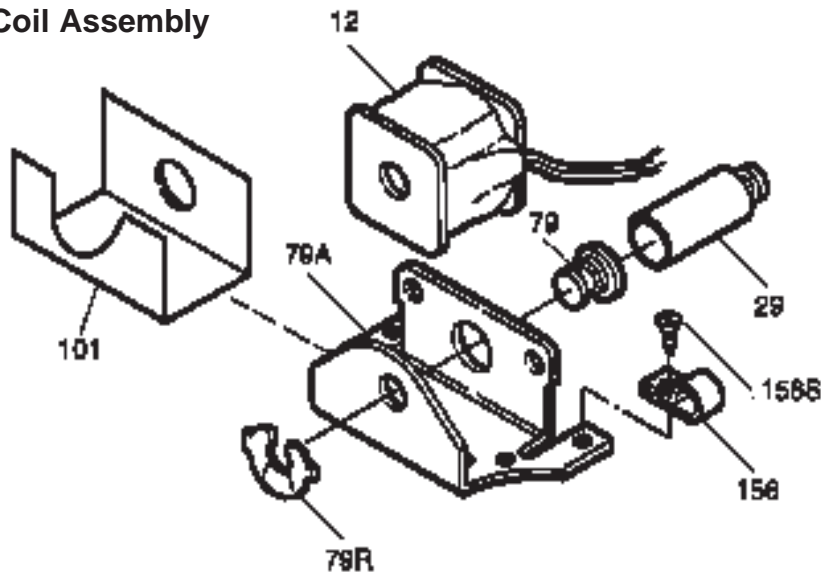


TABLE 2
Components of Solenoid and Coil Assembly

Item No.	Description	Part Number ↓	With or Without Manual Release			
			Torque (lb-ft)			
			.5	.75	1.5	
		Brake Model Number →	1-103-051-XO	1-103-061-XO	1-103-071-XO	
12	Solenoid coil No. 07	115 volts, 60 cycles 208 volts, 60 cycles 230 volts, 60 cycles 460 volts, 60 cycles 575 volts, 60 cycles	6-1-07116-00-17B 6-1-07209-00-17E 6-1-07231-00-17F 6-1-07461-00-17L 6-1-07576-00-17O	1 1 1 1 1	1 1 1 1 1	
	Solenoid coil No. K7	115 volts, 60 cycles 208 volts, 60 cycles 230 volts, 60 cycles 460 volts, 60 cycles 575 volts, 60 cycles	6-1-07117-00-47B 6-1-07210-00-47E 6-1-07232-00-47F 6-1-07462-00-47L 6-1-07577-00-47O			1 1 1 1 1
29	Plunger		8-029-302-00	1	1	1
79	Shading pole		5-79-0074-00	1	1	1
79R	Retaining ring		9-03-0056-00	1	1	1
79A	Coil support		8-088-072-00	1	1	1
101	Insulating barrier		8-101-503-00	1	1	1
156	Cable clamp		9-61-0016-00	1	1	1
156S	Self-tapping screw		9-25-6906-00	1	1	1

