

**Information required when ordering replacement parts for Series 56,300 (rev. A):**

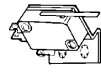
Give Part Number of parts or kits needed, Brake Model Number, and Brake Serial Number. The Brake Model and Serial Number may identify special brakes not covered by this parts list.

When ordering hubs, specify shaft diameter (hub bore) and keyway.

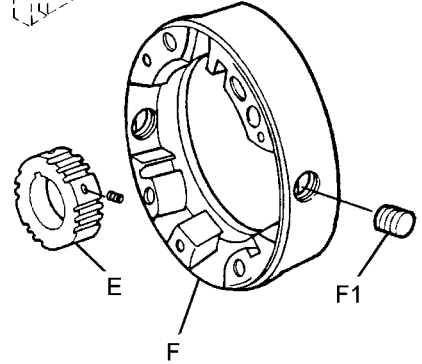
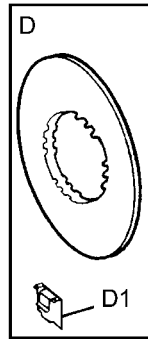
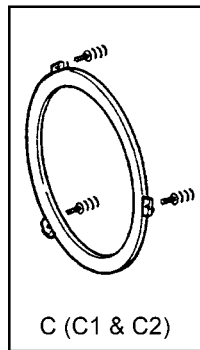
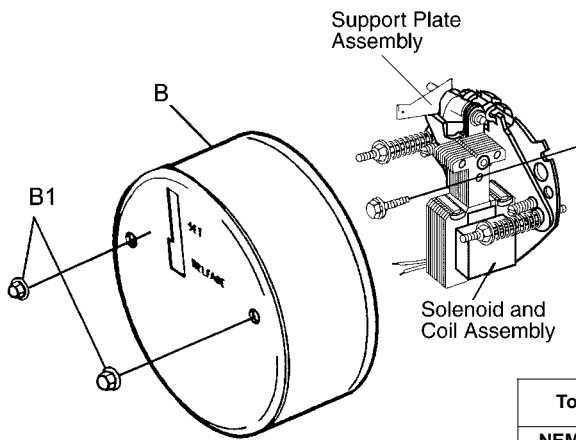
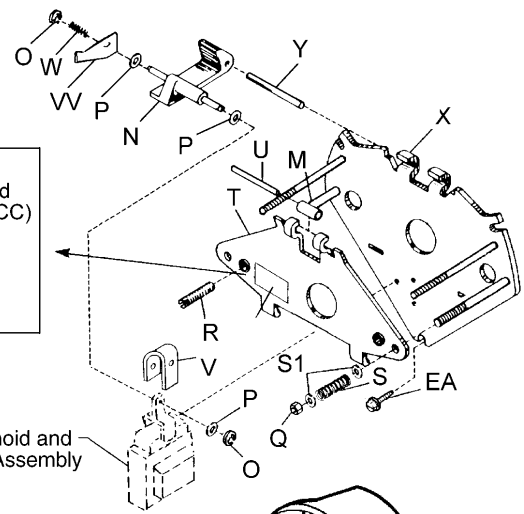
NOTE: Housing Enclosure is NEMA 1 rated (formerly referred to as standard).

**Support Plate Assembly**

Enlarged Interlock Microswitch located in area indicated (CC)



Solenoid and Coil Assembly



**TABLE 1**  
Components of Standard AC or DC Brake

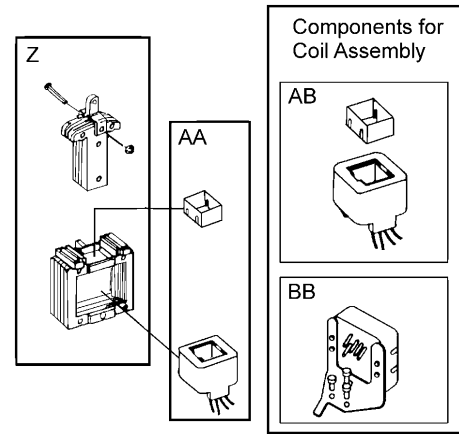
Item	Description	Part Number↓	Torque (lb-ft)											
			1.5 and 3		6		10		15		25			
NEMA Enclosure			AC	DC	AC	DC	AC	DC	AC	DC	AC	DC		
Brake Model Number→			1-056-301-00 & -311-00	1-056-305-00 & -315-00	1-056-321-00	1-056-325-00	1-056-331-00	1-056-335-00	1-056-341-00	1-056-345-00	1-056-351-00 & -361-00	1-056-355-00 & -365-00		
B	Housing Housing nut	8-007-543-00 9-40-3128-00	1 2	1 2	1 2	1 2	1 2	1 2	1 2	1 2	1 2	1 2		
C	Stationary disc kit (1 disc universal 3 disc horizontal)	5-66-8354-00	1	1	1	1						3		
C1	Stationary disc kit (2 disc universal)	5-66-8355-00					1	1	1	1				
C2	Stationary disc kit (3 disc horizontal)	5-66-8356-00									1	1		
<i>Not Shown</i>	Vertical Spring Kit (3 disc)	5-63-0525-00									1	1		
D	Friction disc kit	5-66-8462-00	1	1	1	1	2	2	2	2	3	3		
D1	Stabilizing spring	8-161-505-00	2	2	2	2	*	*	*	*	*	*		
DP	Disc pack kit 1 disc Disc pack kit 2 disc Disc pack kit 3 disc	5-66-8601-00 5-66-8602-00 5-66-8603-00	1	1	1	1		1	1	1		1		
E	Hub and set screw assembly 1 & 2 disc	5/8 bore	5-16-5150-00-01B	1	1	1	1	1	1	1	1			
		7/8 bore	5-16-5150-00-01D	1	1	1	1	1	1	1	1			
		1-1/8 bore	5-16-5150-00-01E	1	1	1	1	1	1	1	1			
E	Hub and set screw assembly 3 disc	5/8 bore	5-16-5153-00-01B								1	1		
		7/8 bore	5-16-5153-00-01D								1	1		
		1-1/8 bore	5-16-5153-00-01E									1	1	
F	Endplate and stationary disc assembly	1 & 2 disc (NEMA 1) 3 disc (NEMA 1)	5-02-5031-00 5-02-5032-00	1	1	1	1	1	1	1	1	1		
F1	Conduit plug		9-61-1167-00	2	2	2	2	2	2	2	2	2		

\* Certain multiple friction disc model numbers require a single stabilizer clip (D1) added to each friction disc. If your particular brake model has this clip on the discs, as received, it must be replaced whenever the friction disc is replaced. This clip is included as part of the friction disc kit 5-66-8462-00.

**TABLE 2**  
Components of Support Plate  
and Coil Assembly

Item	Description	Part Number ↓	Torque (lb-ft)			
			1.5 & 3	6 & 10	15 & 20	25
			5-42-5531-00	5-42-5532-00	5-42-5533-00	5-42-5533-00
			<b>Support Plate Assembly. (Items M through Y and EA) →</b>			
M	Bearing	8-006-501-00	1	1	1	1
N	Solenoid lever	8-008-504-01	1	1	1	1
O	Retaining ring	9-03-0057-00	2	2	2	2
P	Spacer	9-45-0168-00	3	3	3	3
Q	Torque adjustment nut	9-40-3928-00	2	2	2	2
R	Wear adjustment screw	8-100-507-00	2	2	2	2
S	Pressure spring	9-70-1215-00	2			
	Pressure spring	9-70-1523-00		2		
	Pressure spring	9-70-1524-00			2	2
S1	Spring washer	9-46-0010-00		4	4	4
T	Lever arm and top nut assy.	5-17-5011-00	1	1	1	1
U	Bearing pin	9-29-4826-00	1	1	1	1
V	Plunger stop	8-094-503-00	1	1	1	1
VV	Release indicator	8-028-501-00	1	1	1	1
W	Release spring	9-70-0809-00	1	1	1	1
X	Support plate and spring stud assembly (2 housing studs)	5-26-5019-00	1	1	1	1
Y	Pivot pin	9-29-4836-00	1	1	1	1
EA	Mounting screws	9-25-9013-00	3	3	3	3
<b>AC Brakes</b>						
Z	No. 4 solenoid kit	5-66-5042-00	1	1	1	1
AA	No. 4 coil kit 60 Hz	115/230 Vac	5-66-6407-33	1		
		230/460 Vac	5-66-6409-33	1		
		115 Vac	5-66-6401-33	1		
		230 Vac	5-66-6402-33	1		
		460 Vac	5-66-6404-33	1		
	575 Vac	5-66-6405-33	1			
	No. K4 coil kit 60 Hz	115/230 Vac	5-66-6457-33		1	
		230/460 Vac	5-66-6459-33		1	
		115 Vac	5-66-6451-33		1	
		230 Vac	5-66-6452-33		1	
		460 Vac	5-66-6454-33		1	
	575 Vac	5-66-6455-33		1		
	No. K4 + coil kit 60 Hz	115/230 Vac	5-66-6407-23			1
		230/460 Vac	5-66-6409-23			1
		115 Vac	5-66-6401-23			1
		230 Vac	5-66-6402-23			1
460 Vac		5-66-6404-23			1	
575 Vac	5-66-6405-23			1		
No. M4 + coil kit 60 Hz	115/230 Vac	5-66-6457-23			1	
	230/460 Vac	5-66-6459-23			1	
	115 Vac	5-66-6451-23			1	
	230 Vac	5-66-6452-23			1	
	460 Vac	5-66-6454-23			1	
575 Vac	5-66-6455-23			1		
CC	Brake release interlock switch (optional)	5-57-5526-00	1	1	1	1
<b>DC Brakes</b>						
AB	No. 4 + coil assembly	115 Vdc	5-96-6416-43	1		
		230 Vdc	5-96-6417-43	1		
	No. K4 + coil assembly	115 Vdc	5-96-6416-23		1	
		230 Vdc	5-96-6417-23		1	
No. M4 + coil assembly	115 Vdc	5-96-6466-23			1	
	230 Vdc	5-96-6467-23			1	
No. P4 + coil assembly	115 Vdc	5-96-6446-43				1
	230 Vdc	5-96-6447-43				1
BB	Electronic DC switch kit	24/28 Vdc 115 Vdc 230 Vdc	5-57-5712-15 5-57-5716-15 5-57-5715-15			

**Solenoid and Coil Assembly**



**TABLE 3**  
Contents of Kits and Assemblies

Item	Kit Description
C	Stationary disc kit (5-66-8354-00) 1 Stationary disc
C1	Stationary disc kit (5-66-8355-00) 2 Stationary discs with springs
C2	Stationary disc kit (5-66-8356-00) 3 Stationary discs with springs
D	Friction disc kit (5-66-8462-00) 1 Friction disc 2 Stabilizing springs (for 1-1/2-6 lb-ft brake use only)
DP	Disc pack kit (5-66-860X-00) 1, 2 or 3 Friction disc(s) 1, 2 or 3 Stationary disc(s) 2 Stabilizing springs (for 1-1/2-6 lb-ft brake use only) 3, 6 or 9 Stationary disc separator springs
E	Hub and set screw assembly all types, all bores (5-16-515X-00) 1 Brake hub 2 Set screws
Z	No. 4 solenoid kit (5-66-5042-00) 1 Plunger 1 Solenoid link 1 Frame 1 Solenoid link cap screw 1 Solenoid link nut 3 Solenoid mounting screws
AA AB	No. 4 AC coil kit (5-66-64XX-X3) and DC coil assembly (5-96-64XX-X3) Coil / Top Plunger guide / Wire nut
BB	DC switch kit (5-57-571X-15) 1 Electronic switch 1 Mounting bracket 3 Bracket mounting screws 4 Switch mounting screws 4 Nuts 4 Lock washers 5 Crimp connectors
CC	Brake release interlock switch (5-57-5526-00) 1 Microswitch 1 Mounting bracket 2 Bracket mounting screws 2 Switch mounting screws 2 Lock washers 2 Nuts 2 Lead wire assembly



---

*Rexnord Industries, Inc.*  
*Stearns Division*  
*5150 S. International Dr.,*  
*Cudahy, Wisconsin 53110*  
*Phone (414) 272-1100 Fax (414) 277-4364 [www.rexnord.com](http://www.rexnord.com)*

Copyright© 1998-2003 by Rexnord Industries, Inc.