

Information required when ordering replacement parts for 56,400 Series Brake (rev A.):

Give Part Number of parts or kits needed, Brake Model Number, and Brake Serial Number. The Brake Model and Serial Number may identify special brakes not covered by this parts list.

When ordering hubs, specify shaft diameter (hub bore) and keyway.

Enclosure is specified as follows:

NEMA 1 (formerly referred to as standard)

NEMA 4 (formerly referred to as DTWP dust-tight waterproof)

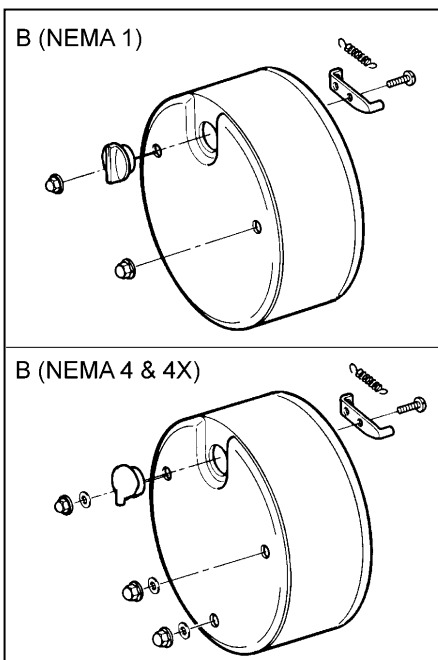
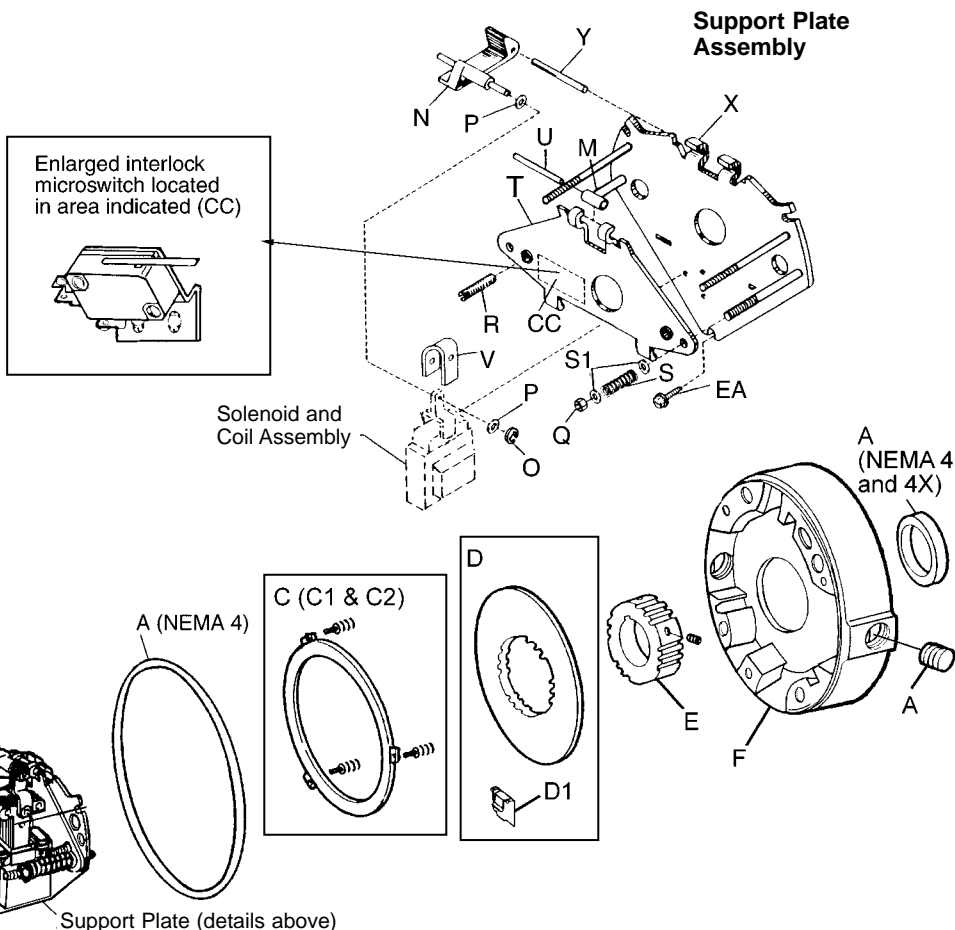


TABLE 1
Components of Standard AC or DC Brake

Item	Description	Part Number ↓	Torque (lb-ft)		1.5 and 3		6		10		15		20 and 25	
			1	4	1	4	1	4	1	4	1	4	1	4
A	Hardware kit - NEMA 1 Hardware kit - NEMA 4	5-66-1001-00 5-66-1002-00	1	1	1	1	1	1	1	1	1	1	1	1
A1	Plug / Gasket kit - NEMA 1 ** Close couple - NEMA 4 3 disc	5-66-0532-00 5-66-0534-00		1	1	1	1	1	1	1	1	1	1	1
B	Housing & release knob kit - NEMA 1 Housing & release knob kit - NEMA 4	5-66-8756-00 5-66-8757-00	1	1	1	1	1	1	1	1	1	1	1	1
C	Stationary disc kit (1 disc universal 3 disc horizontal)	5-66-8354-00	1	1	1	1							3	3
C1	Stationary disc kit (2 disc universal)	5-66-8355-00					1	1	1	1	1		1	1
C2	Stationary disc kit (3 disc vertical)	5-66-8356-00											1	1
Not shown	Vertical Spring Kit (3 disc)	5-63-0525-00										1	1	1
D	Friction disc kit	5-66-8462-00	1	1	1	1	1	2	2	2	2	1	1	1
D1	Stabilizing spring	8-161-505-00	2	2	2	2	*	*	*	*	*	3	3	3
DP	Disc pack kit - 1 disc Disc pack kit - 2 disc Disc pack kit - 3 disc	5-66-8601-00 5-66-8602-00 5-66-8603-00	1	1	1	1			1	1	1		1	1
E	Hub and set screw assembly 1 & 2 disc (NEMA 1)	5-16-5150-00-01B 5-16-5150-00-01D 5-16-5150-00-01E	1	1	1	1	1	1	1	1	1			
	Hub and set screw assembly 1 disc (NEMA 4)	5-16-5151-00-01B 5-16-5151-00-01D 5-16-5151-00-01E		1	1	1								
	Hub and set screw assembly 3 disc (NEMA 1) and 2 & 3 disc (NEMA 4)	5-16-5153-00-01B 5-16-5153-00-01D 5-16-5153-00-01E					1	1	1	1	1	1	1	1
F	Endplate	8-002-580-01-30F	1	1										
	Endplate	8-002-582-01-30F					1	1	1	1	1	1	1	
	Endplate & seal assy. Endplate & seal assy.	5-02-5043-00 5-02-5044-00		1	1				1	1	1	1		1

* Certain multiple friction disc model numbers require a single stabilizer clip (D1) added to each friction disc. If your particular brake model has this clip on the discs, as received, it must be replaced whenever the friction disc is replaced. This clip is included as part of the friction disc kit 5-66-8462-00.

** Close coupled brakes identified by 8 in the 8th digit position.
Example: 1-056-XXX-8X.

TABLE 2
Components of Support Plate
and Coil Assembly

Item	Description	Part Number ↓	Torque (lb-ft)		1.5 & 3		6 & 10		15 & 20		25		
			NEMA Enclosure		1	4	1	4	1	4	1	4	
			Support Plate Assy. (Items M through Y and EA) →		5-42-5561-00	5-42-5562-00	5-42-5563-00	5-42-5564-00	5-42-5565-00	5-42-5566-00	5-42-5565-00	5-42-5566-00	
M	Bearing	8-006-501-00	1	1	1	1	1	1	1	1	1	1	
N	Solenoid lever	8-008-504-01	1	1	1	1	1	1	1	1	1	1	
O	Retaining ring	9-03-0057-00	1	1	1	1	1	1	1	1	1	1	
P	Spacer	9-45-0168-00	2	2	2	2	2	2	2	2	2	2	
Q	Torque adjustment nut	9-40-3928-00	2	2	2	2	2	2	2	2	2	2	
R	Wear adjustment screw	8-100-507-00	2	2	2	2	2	2	2	2	2	2	
S	Pressure spring	9-70-1215-00	2	2									
	Pressure spring	9-70-1523-00			2	2							
	Pressure spring	9-70-1524-00					2	2	2	2	2	2	
S1	Spring Washer	9-46-0010-00			4	4	4	4	4	4	4	4	
T	Lever arm and stop nut assy.	5-17-5011-00	1	1	1	1	1	1	1	1	1	1	
U	Bearing pin	9-29-4826-00	1	1	1	1	1	1	1	1	1	1	
V	Plunger stop	8-094-503-00	1	1	1	1	1	1	1	1	1	1	
X	Support plate and spring stud assembly (2 housing studs)	5-26-5019-00	1		1		1		1		1		
	Support plate and spring stud assembly (3 housing studs)	5-26-5020-00		1		1		1		1		1	
Y	Pivot pin	9-29-4836-00	1	1	1	1	1	1	1	1	1	1	
EA	Mounting screws	9-25-9013-00	3	3	3	3	3	3	3	3	3	3	
AC Brakes													
Z	No. 4 solenoid kit	5-66-5042-00	1		1		1		1		1		
AA	No. 4 coil kit 115/230 Vac 230/460 Vac 115 Vac 230 Vac 460 Vac 575 Vac	5-66-6407-33	1										
		5-66-6409-33	1										
		5-66-6401-33	1										
		5-66-6402-33	1										
		5-66-6404-33	1										
		5-66-6405-33	1										
	No. K4 coil kit 115/230 Vac 230/460 Vac 115 Vac 230 Vac 460 Vac 575 Vac	5-66-6457-33			1								
		5-66-6459-33			1								
		5-66-6451-33			1								
		5-66-6452-33			1								
		5-66-6454-33			1								
		5-66-6455-33			1								
	No. K4 + coil kit 115/230 Vac 230/460 Vac 115 Vac 230 Vac 460 Vac 575 Vac	5-66-6407-23							1				
		5-66-6409-23							1				
		5-66-6401-23							1				
		5-66-6402-23							1				
5-66-6404-23								1					
5-66-6405-23								1					
No. M4 + coil kit 115/230 Vac 230/460 Vac 115 Vac 230 Vac 460 Vac 575 Vac	5-66-6457-23											1	
	5-66-6459-23											1	
	5-66-6451-23											1	
	5-66-6452-23											1	
	5-66-6454-23											1	
	5-66-6455-23											1	
CC	Brake release interlock switch (Optional)		1		1		1		1		1		
DC Brakes													
AB	No. 4 + coil assembly	115 Vdc	5-96-6416-43	1									
		230 Vdc	5-96-6417-43	1									
	No. K4 + coil assembly	115 Vdc	5-96-6416-23			1							
		230 Vdc	5-96-6417-23			1							
No. M4 + coil assembly	115 Vdc	5-96-6466-23					1					1	
	230 Vdc	5-96-6467-23					1					1	
BB	Electronic DC switch kit	24/28 Vdc	5-57-5712-15	1	1	1	1	1	1	1	1	1	
		115 Vdc	5-57-5716-15	1	1	1	1	1	1	1	1	1	
		230 Vdc	5-57-5717-15	1	1	1	1	1	1	1	1	1	

Solenoid and Coil Assembly

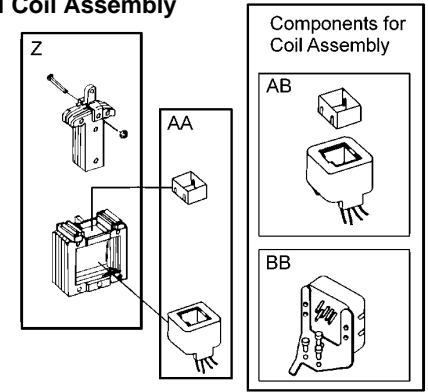


TABLE 3
Contents of Kits and Assemblies

Item	Kit Description
A	Hardware kit NEMA 1 (5-66-1001-00)
	2 Housing acorn nuts
	2 Conduit plugs
	Hardware kit NEMA 4 (5-66-1002-00)
B	3 Housing nuts
	3 Housing nut gaskets
	1 Endplate oil seal
	2 Endplate hole plugs
	2 Housing to endplate U gasket
	2 Endplate conduit pipe plugs
C	Housing & release knob kit (5-66-875X-00)
	1 Housing and release knob assembly
	2 or 3 Housing nuts
C1	3 Housing nut gasket (NEMA 4)
	Stationary disc kit (5-66-8354-00)
C2	1 Stationary disc
	Stationary disc kit (5-66-8355-00)
D	2 Stationary discs with springs
	Stationary disc kit (5-66-8356-00)
	3 Stationary discs with springs
DP	Friction disc kit (5-66-8462-00)
	1 Friction disc
	2 Stabilizing springs (for 1-1/2-6 lb-ft brake use only)
E	Disc pack kit (5-66-860X-00)
	1, 2 or 3 Friction disc(s)
	1, 2 or 3 Stationary disc(s)
	2 Stabilizing springs (for 1-1/2-6 lb-ft brake use only)
Z	3, 6 or 9 Stationary disc separator springs
	Hub and set screw assembly all types, all bores (5-16-515X-00)
	1 Brake hub
AA	2 Set screws
	No. 4 solenoid kit (5-66-5042-00)
	1 Plunger
	1 Solenoid link
BB	1 Frame
	1 Solenoid link cap screw
	1 Solenoid link nut
	3 Solenoid mounting screws
	No. 4 AC coil kit (5-66-64XX-X3) and DC coil assembly (5-96-64XX-X3)
CC	Coil / Top Plunger guide / Wire nut
	DC switch kit (5-57-571X-15)
	1 Electronic switch
	1 Mounting bracket
	3 Bracket mounting screws
	4 Switch mounting screws
4 Nuts	
BB	4 Lock washers
	5 Crimp connectors
	Brake release interlock switch (5-57-5526-00)
	1 Microswitch
	1 Mounting bracket
	2 Bracket mounting screws
2 Switch mounting screws	
CC	2 Lock washers
	2 Nuts
	2 Lead wire assembly



Rexnord Industries, Inc.
Stearns Division
5150 S. International Dr.
Cudahy, Wisconsin 53110
(414) 272-1100 Fax: (414) 277-4364 www.rexnord.com