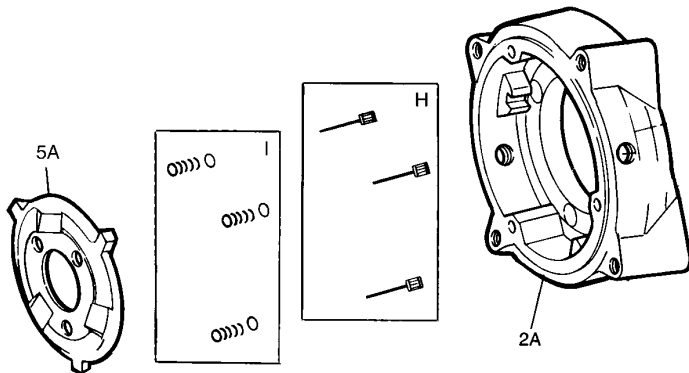
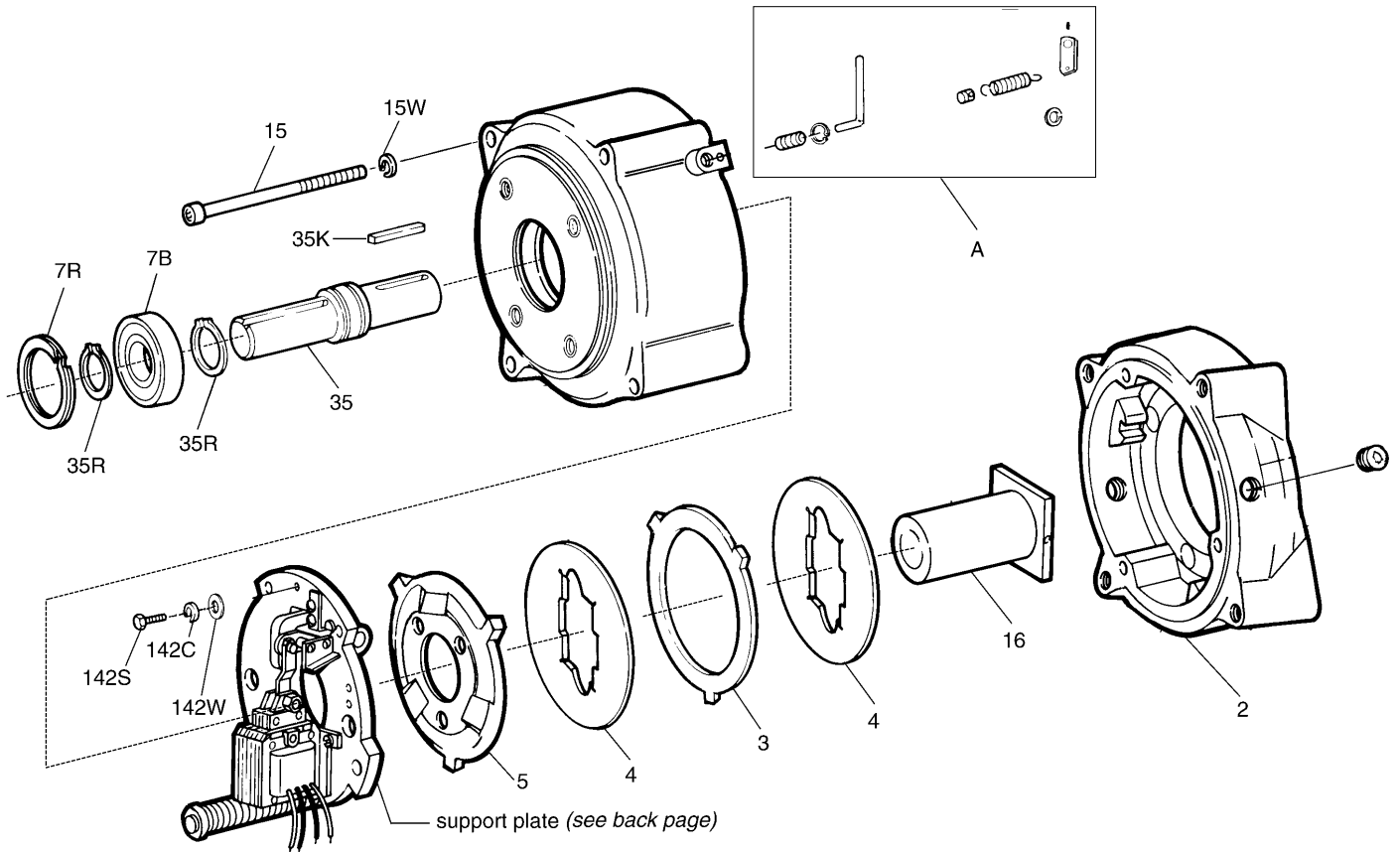


Parts List for 87,700 Series Brakes

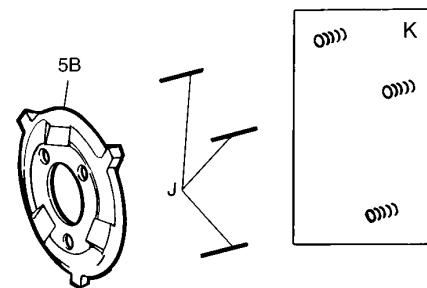
Information required when ordering replacement parts:

- Give part number of parts or kits needed, brake model number, and brake serial number. The brake model and serial number may identify special brakes not covered by this parts list.
- Description items in ***CAPITALIZED BOLD ITALICS*** are recommended spare parts. One set per 5 brakes in service is recommended.
- Enclosures are designated as follows:
O = Standard E = Dust-tight, waterproof (DTWP)
- Housing and manual release assembly (Item B) includes manual release kit (Item BA).

For installation and service instructions, see Sheet 8-078-927-07. Detailed service instruction sheet is included with each kit.



Vertical Above Components
(brake above motor)



Vertical Below Components
(brake below motor)

TABLE 2
Components of Support Plate and Coil Assembly*

Item	Description	Part Number	Torque (lb-ft)			
			6 10	15	25 50	35 75 105
126	Support plate and bearing assembly	5-26-7006-00	1	1	1	1
22	Solenoid lever stop	8-022-203-00	1	1	1	1
76	Wrap spring stop	8-076-703-00	1	1	1	1
76S	Screw (wrap spring stop) 10-24 x 1/2	9-25-7331-00	2	2	2	2
79P	Spacer (solenoid)	8-179-701-00	1	1	1	0
8	SOLENOID LEVER AND PINION KIT	5-96-7371-00	1	1	1	1
Q1	Release plate	8-170-706-00	1	1	1	1
Q2	Nut (release plate) 1/4 x 20	9-40-3730-00	2	2	2	2
Q3	Cap screw (release plate)	9-15-1031-00	2	2	2	2
Q4	Spacer (release plate)	8-141-707-00	2	2	2	2
17	Lever arm assembly	5-17-7005-00	1	1	1	1
130	Pivot pin (lever arm)	9-32-3111-00	1	1	1	1
152P	Pivot pin (spring tube)	9-32-4059-00	1	1	1	1
130B	Bearing (washer type)	8-138-701-00	2	2	2	2
19 & 152	Pressure spring tube kit	5-66-7471-00	1	1	1	1
11	Pressure spring kit – black (formerly blue)	5-66-3072-00	1			
	Pressure spring kit – white (formerly yellow)	5-66-3074-00		1		
	Pressure spring kit – orange (formerly red)	5-66-3076-00			1	
	Pressure spring kit – purple (formerly green)	5-66-3078-00				1
AC Brakes						
U	NO. 5 AC SOLENOID KIT	5-66-5051-00	1			
	NO. 6 AC SOLENOID KIT	5-66-5061-00		1	1	
	NO. 8 AC SOLENOID KIT	5-66-5082-00				1
13B	Solenoid link	8-013-708-00	1	1	1	
	Solenoid link	8-013-709-00				1
13C	SOLENOID LINK CAP SCREW	8-157-701-00	1			
	SOLENOID LINK CAP SCREW	8-157-702-00		1	1	
	SOLENOID LINK CAP SCREW	8-157-703-00				1
V	NO. 5 COIL KIT 60 HZ	115/230 Vac	5-66-6507-33	1		
		230/460 Vac	5-66-6509-33	1		
		115 Vac	5-66-6501-33	1		
		230 Vac	5-66-6502-33	1		
		460 Vac	5-66-6504-33	1		
		575 Vac	5-66-6505-33	1		
	NO. 6 COIL KIT 60 HZ	115/230 Vac	5-66-6607-33		1	1
		230/460 Vac	5-66-6609-33		1	1
		115 Vac	5-66-6601-33		1	1
		230 Vac	5-66-6602-33		1	1
		460 Vac	5-66-6604-33		1	1
		575 Vac	5-66-6605-33		1	1
	NO. 8 COIL KIT 60 HZ	115/230 Vac	5-66-6807-33			1
		230/460 Vac	5-66-6809-33			1
		115 Vac	5-66-6801-33			1
		230 Vac	5-66-6802-33			1
		460 Vac	5-66-6804-33			1
		575 Vac	5-66-6805-33			1
XX**	Brake release interlock switch	5-57-5517-00	1	1	1	1
DC Brakes						
W	No. 5 DC solenoid assembly	5-12-5557-00	1			
	No. 6 DC solenoid assembly	5-12-5567-00		1	1	
	No. 8 DC solenoid assembly	5-12-5588-00				1
VV	No. 5 Coil Assembly	115 Vdc	5-96-6516-00	1		
		230 Vdc	5-96-6517-33	1		
	No. 6 Coil Assembly	115 Vdc	5-96-6616-33		1	1
		230 Vdc	5-96-6617-33		1	1
	No. 8 Coil Assembly	115 Vdc	5-96-6816-33			1
		230 Vdc	5-96-6817-33			1
X	DC switch assembly	5-57-5501-00	1	1	1	
	DC switch assembly	5-57-5503-00				1
Y	Arc suppression module	5-57-5711-00	1	1	1	1

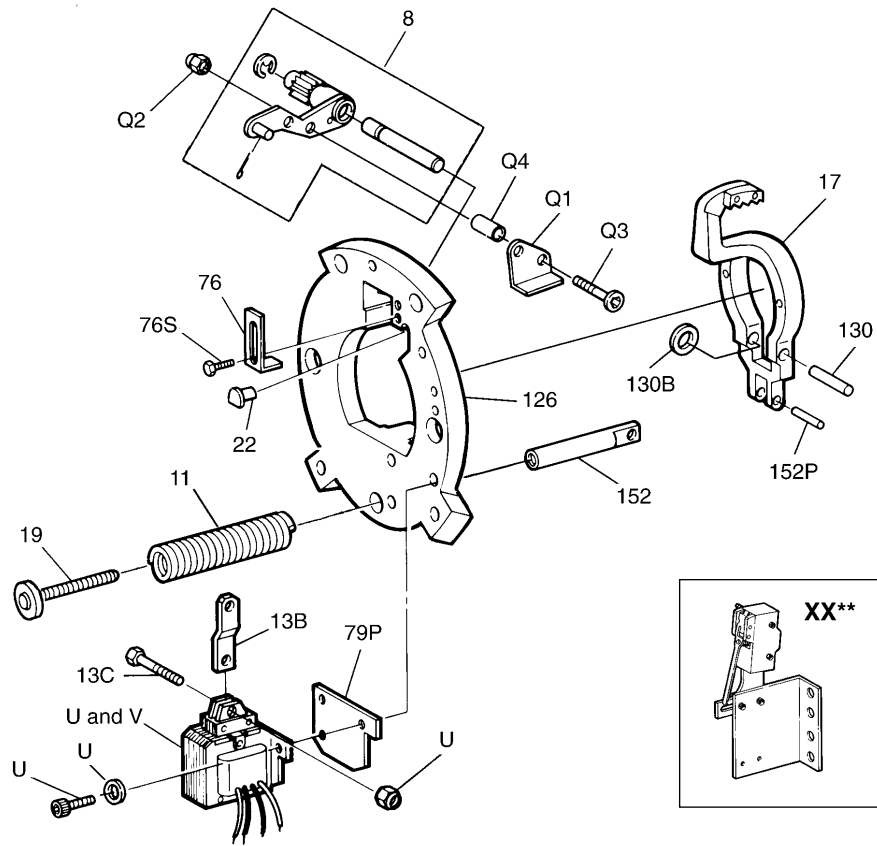
*Consult factory for price and availability on complete support plate assemblies including solenoid.

**AC brakes with the brake release interlock (N.O.) switch Item XX use Item W solenoid assembly for switch mounting in place of Item U.

TABLE 3
Contents of Kits and Assemblies (contents may vary)

Letter Designation	Kit Description
4	Friction disc kit – standard (5-66-8472-00) 1 – Friction disc
3	Stationary disc kit (5-66-8372-00) 1 – Stationary disc
H	Vertical above mounting pin kit (5-66-337X-00) 3 – Vertical above mounting pins
I	Vertical above spring and spacer kit (5-66-3171-00) 9 – Vertical above mounting springs 9 – Vertical above spring spacers
K	Vertical below spring kit – green (5-66-3172-00) 3 – Vertical below springs – green
	Vertical below spring kit – red (5-66-3173-00) 3 – Vertical below springs – red
8	Solenoid lever and pinion kit (5-96-7371-00) 1 – Solenoid lever and pinion assembly 1 – Cotter pin 1 – Solenoid lever pivot pin 1 – Pivot pin retaining ring
19 & 152	Pressure spring tube kit (5-66-7471-00) 1 – Pressure spring tube 1 – Pressure spring screw 1 – Spring tube pivot pin
11	Pressure spring kit (5-66-307X-00) 1 – Pressure spring
U	AC solenoid kit (5-66-50XX-00) 1 – Plunger 1 – Frame 3 – Solenoid mounting screws 3 – Solenoid mounting conical spring washers 1 – Solenoid link nut 1 – Drive loc pin (for #8 solenoid only) (not shown) 1 – Washer (for #8 solenoid only) (not shown)
V	Coil kits (5-66-6XXX-33) AC coils 1 – Coil 2 – Plunger guides 2 – Plunger guide screws
VV	Coil assembly (5-96-6XXX-33) DC coils 1 – Coil 2 – Plunger guides 2 – Plunger guide screws
W	DC solenoid assembly (5-12-55XX-00) 1 – Plunger 1 – Frame 3 – Solenoid mounting screws 3 – Conical spring washers 1 – Solenoid link nut 1 – Cable clamp and screw
X	DC switch assembly (5-57-5501-00 or 5-57-5503-00) 1 – DC switch 2 – Mounting screws 2 – Lock washers
XX	AC switch assembly (5-57-5504-00 or 5-57-5506-00) (brake release interlock switch – N.O.) 1 – AC switch 2 – Mounting screws 2 – Lock washers
Y	Arc suppression module (5-57-5711-00) 1 – Arc suppression module 1 – Cable strap
A	Manual release kit (5-55-7002-00) Spring anchor Roll pin Retaining ring Release spring Bearing Release lever Release arm “O” ring
J	Vertical below mounting pin kit (8-078-71X-00) 3 – vertical below pins

Support Plate Assembly



Solenoid and Coil

